







Please unscrew all hardware from cushion before assembly.
 Por favor de destornillar todos los tornillos del cojín antes de ensamblar la silla.

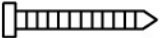
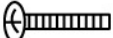
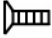
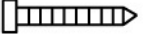

MODEL: AELD40 & B8999

(1)X1  Back	(2)X1  Seat	(3)X1  WF031-FB Front Bar
(4)X1  WF031-BB Back Bar	(5)X1 (L)  WF031-RF Wood Frame-Right	(5)X1 (R)  WF031-LF Wood Frame-Left

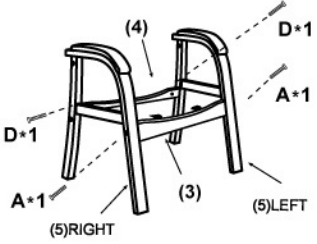
Customer Service Hotline:

1-866-598-5036

For further assembly instructions,
 please visit our website at
www.ariaoffice.com

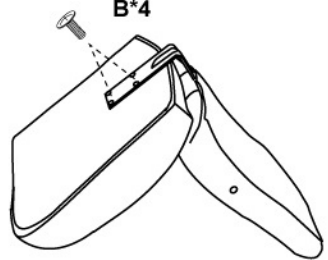
- | | | |
|-------|---|--------------------------|
| (A)x2 |  | M6*65 Front Frame |
| (B)x4 |  | M6*25 L-bar |
| (C)x2 |  | M6*20 Front Bar |
| (D)x4 |  | M6*35 Back Frame |
| (E)x6 |  | Insert Caps |

1

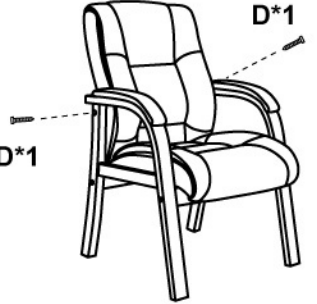


Note: Lightly tighten all screws.

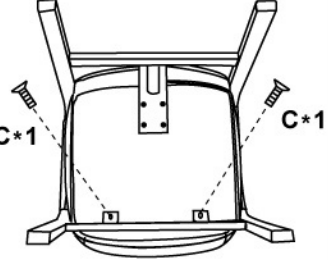
2



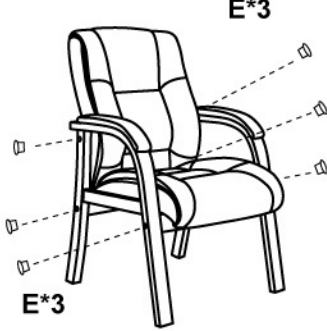
3



4



5



NOTE: Before insert all 6 (E) wood caps to screw holes:
 I. Tighten ALL 6 screws on step 4, then insert ALL 6 (D) wood caps to finish.

Insert and loosely tighten all screws. When assembly is completed, fully tighten all screws before using. This chair is only intended for sitting. Any other use will void the warranty.

