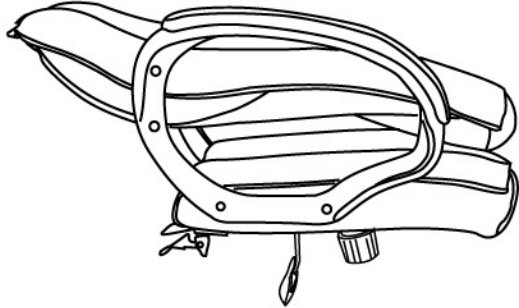


MODEL : B8601

(1)x1



BACK & SEAT CUSHION, ARM, MECHANISM

(2)x1

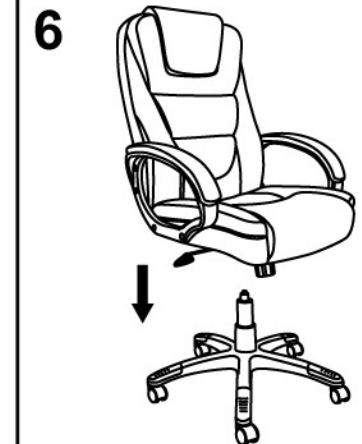
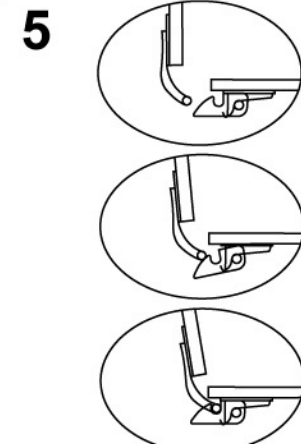
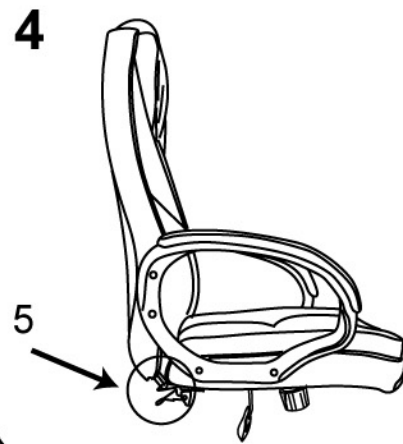
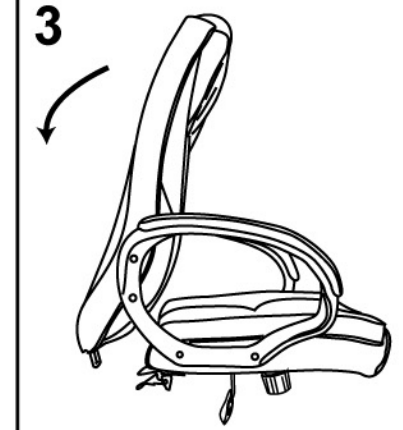
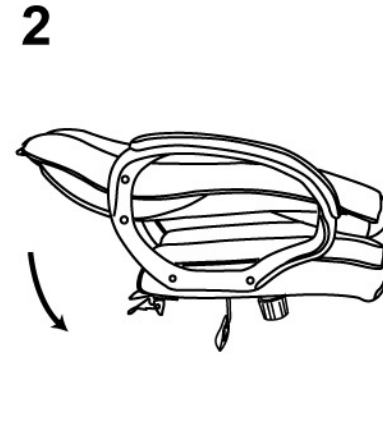
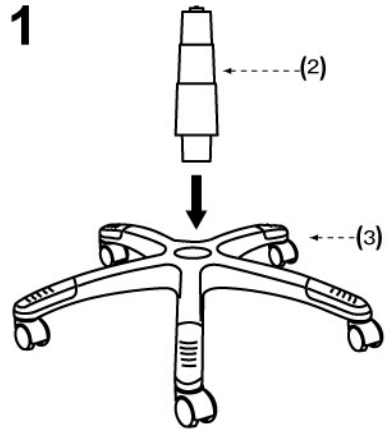


GAS LIFT

(3)x1



BASE & CASTERS



Customer Service Hotline: 1-800-593-1888
For further assembly instructions,
please visit our website at www.bosschair.com

This chair is only intended for sitting.
Any other use will void the warranty.

