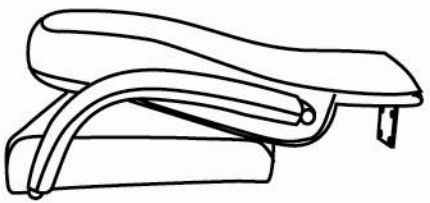

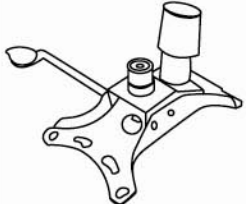


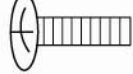
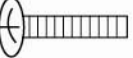




Please unscrew all hardware from cushion before assembly.

Por favor de destornillar todos los tornillos del cojín antes de ensamblar la silla.

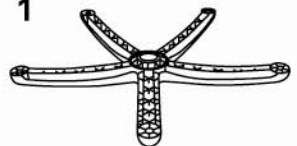
MODEL : B7401 7406

(1)x1		(2)x5	
			
Back & Seat W/ ARMS		Caster	
(3)x1	(4)x1	(5)x1	
			
Mechanism		Gas Lift W/ Cover	
(A)*4PCS  M8*22 MECHANISM SCREW			
(B)*4PCS  M6*30 BACK BAR SCREWS			
(C)*4PCS  ARM CAP			
(D)*1PC  ALLEN KEY			

Customer Service Hotline: 1-800-593-1888

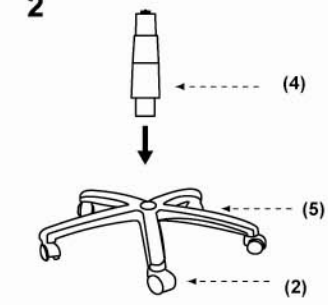
For further assembly instructions, please visit our website at www.bosschair.com

1



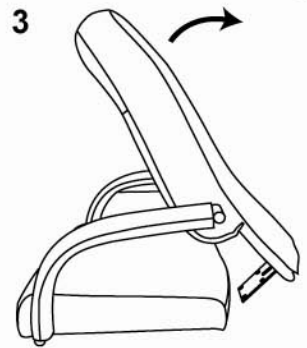
PUSH IN
*You may use a mallet if necessary.

2

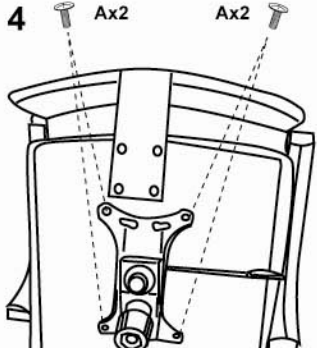


(4)
(5)
(2)

3

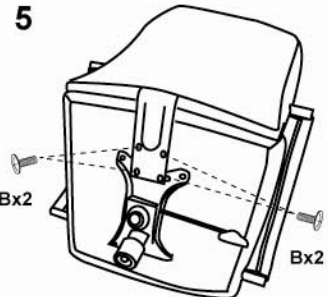


4



Ax2 Ax2

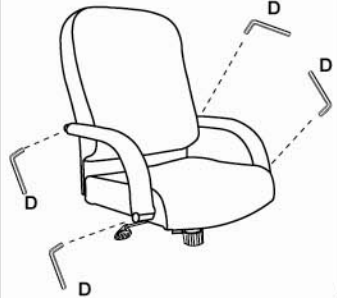
5



Bx2 Bx2

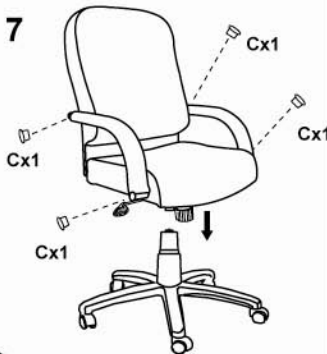
Back bar must be over the mechanism

6





D D D D

7



Cx1 Cx1 Cx1

Note: Please tighten all arm screws using allen key before step 7

Insert and loosely tighten all screws. When assembly is completed, fully tighten all screws before using. This chair is only intended for sitting. Any other use will void the warranty.

