

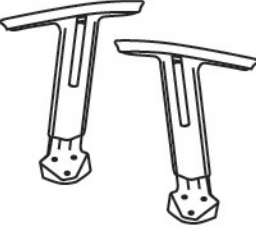
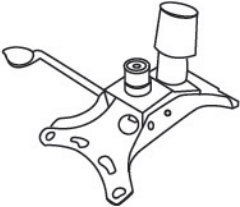







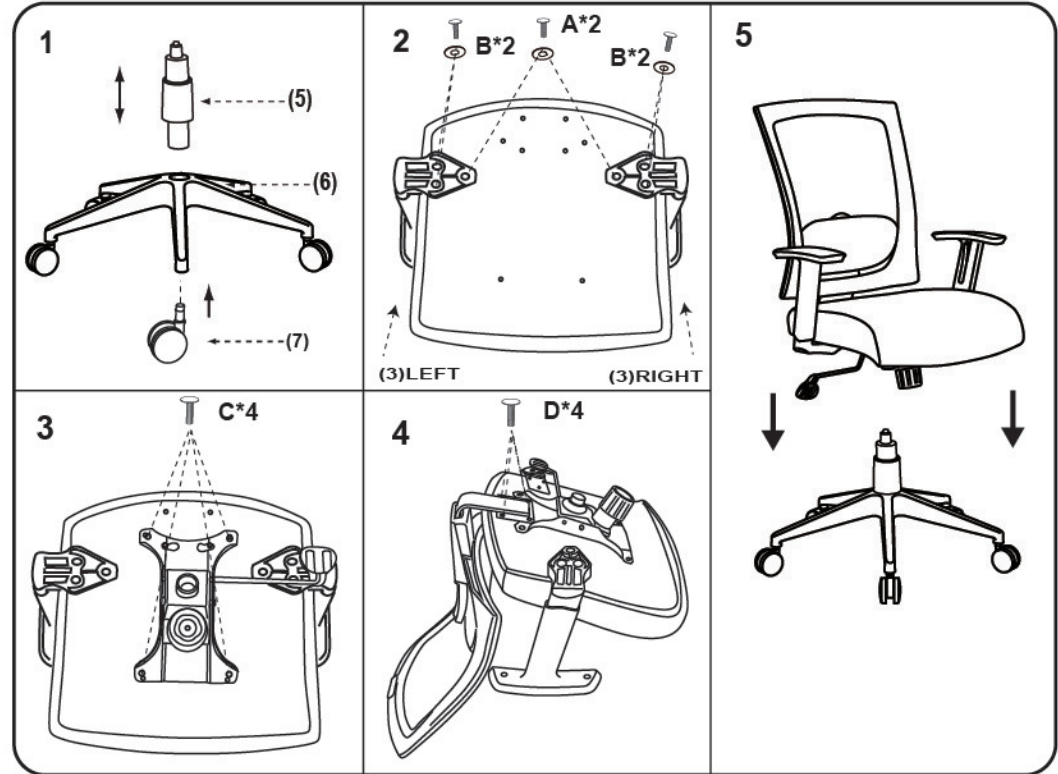


# IMPORTANT NOTICE: HARDWARE PACKAGE IS ATTACHED ON THE BOTTOM OF SEAT CUSHION.

MODEL: B6706 670BLK

(1)x1  Back Cushion	(2)x1  Seat Cushion	(3)x1 (L)x1 (R)  Left-Arm Right-Arm
(4)x 1  Mechanism	(5)x1  Gas Lift W/ Cover	(6)x1  Base
(7)x 5  Caster	<p>(A)*2  M6*25 Arm Screws</p> <p>(B)*4  M6*36 Arm Screws</p> <p>(C)*4  M8*22 Mechanism Screws</p> <p>(D)*4  M6*25 Back Bar Screws</p>	



**Insert and loosely tighten all screws. When assembly is completed, fully tighten all screws before using. This chair is only intended for sitting. Any other use will void the warranty.**

