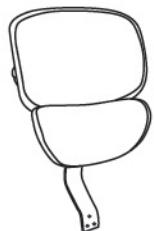
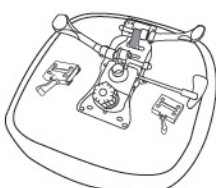





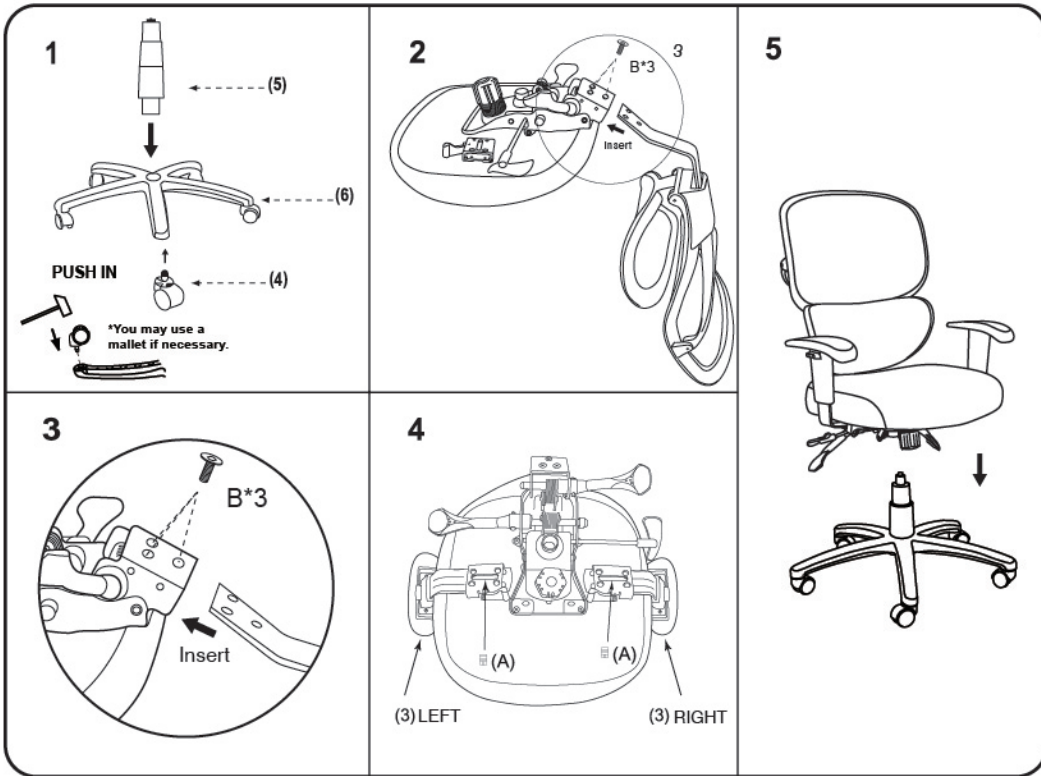


Please unscrew all hardware from cushion before assembly.
Por favor de destornillar todos los tornillos del cojín antes de ensamblar la silla.

MODEL : B6338

(1)x1	(2)x1	(3)x1 (L)x1 (R)
		
Back Cushion	Seat Cushion W/Mechanism	Right & Left Arm
(4)x5	(5)x1	(6)x1
		
Casters	Gas Lift W/ Cover	Base
(A)x2	M10 ARM BRACKET SCREW	
(B)x3	M8*22 L-BAR SCREW	
(C)x1		



Insert and loosely tighten all screws. When assembly is completed, fully tighten all screws before using. This chair is only intended for sitting. Any other use will void the warranty.

