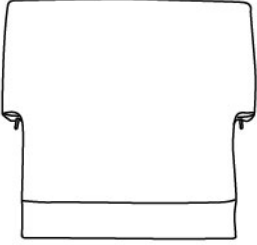

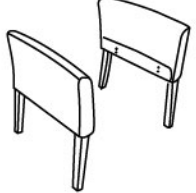
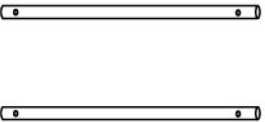





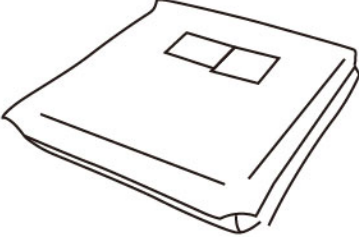
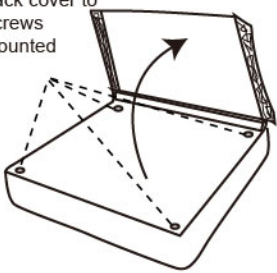
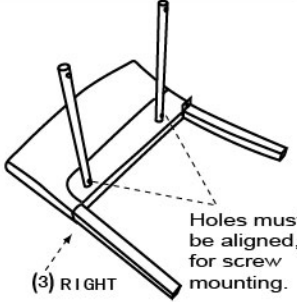
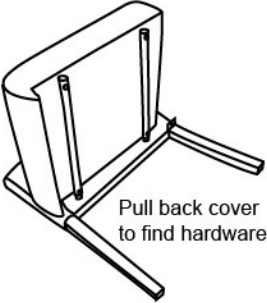
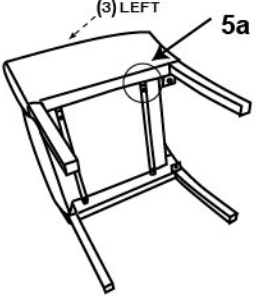
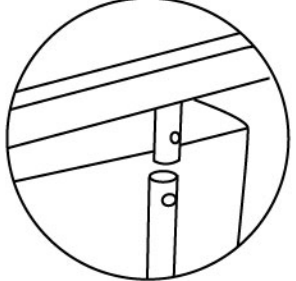
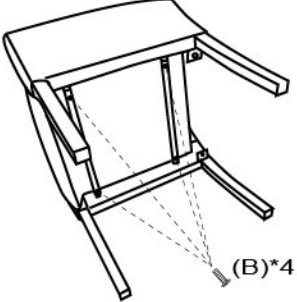
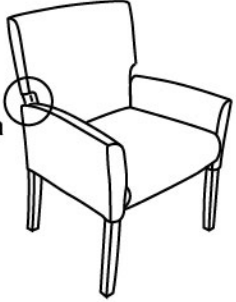
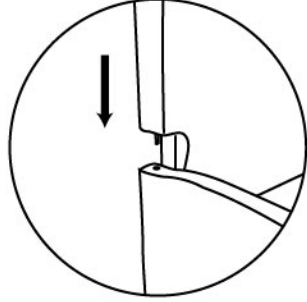
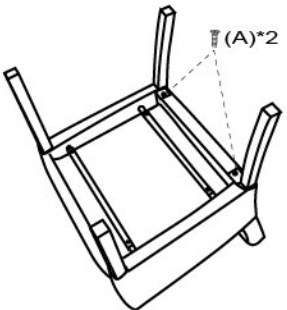
Please unscrew all hardware from cushion before assembly.

Por favor de destornillar todos los tornillos del cojín antes de ensamblar la silla.

MODEL : B619 B629 B639 B649

(1)X1  Back	(2)X1  Seat
(3)X1 (L)x1 (R)  Left & Right Frame	(4)X1  Connecting Bar
(A)x2  M6*30 BACK SCREW	(B)x4  M6*36 SEAT SCREW
(C)x1 	

Insert and loosely tighten all screws. When assembly is completed, fully tighten all screws before using. This chair is only intended for sitting. Any other use will void the warranty.

1 bottom of seat 	2 pull back cover to find screws pre-mounted 	3  Holes must be aligned, for screw mounting. (3) RIGHT
4  Pull back cover to find hardware	5 (3) LEFT 5a 	5a 
6  (B)*4	7 7a 	7a 
8  (A)*2	9 