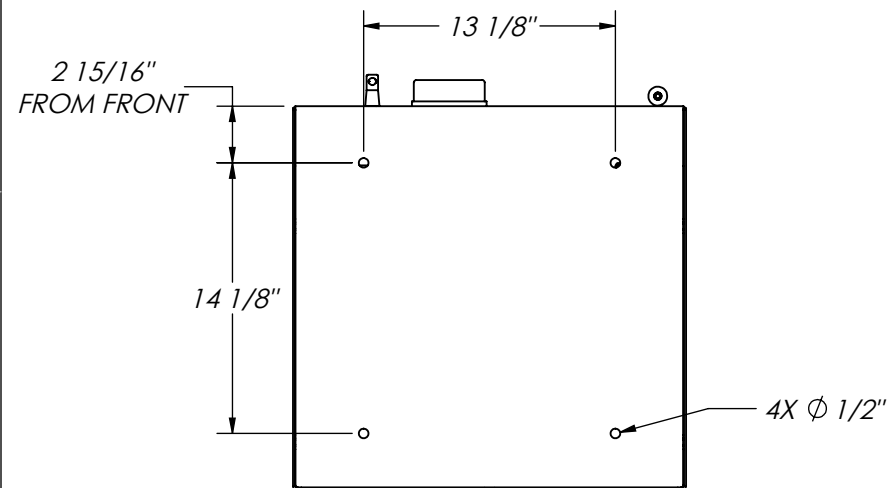
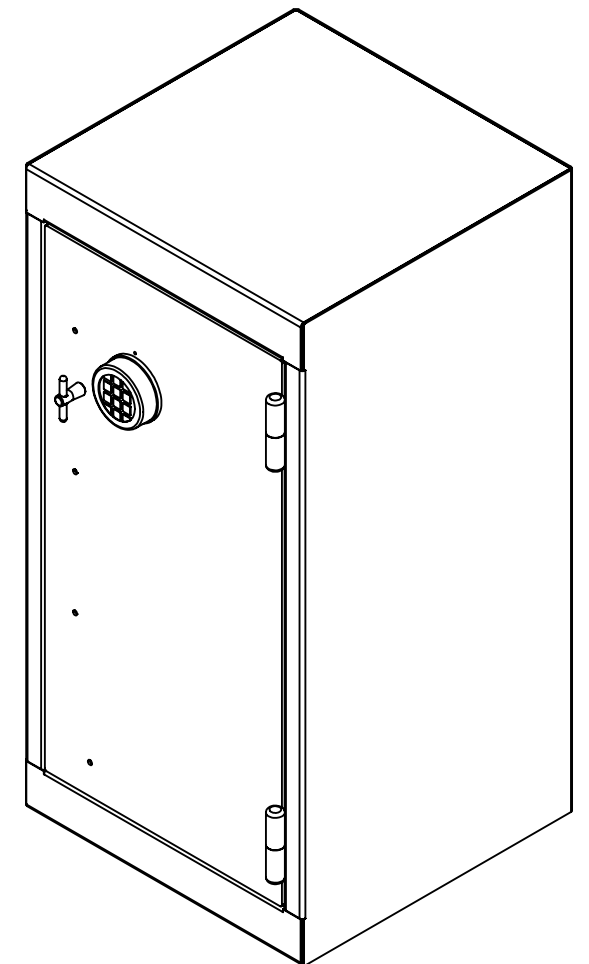
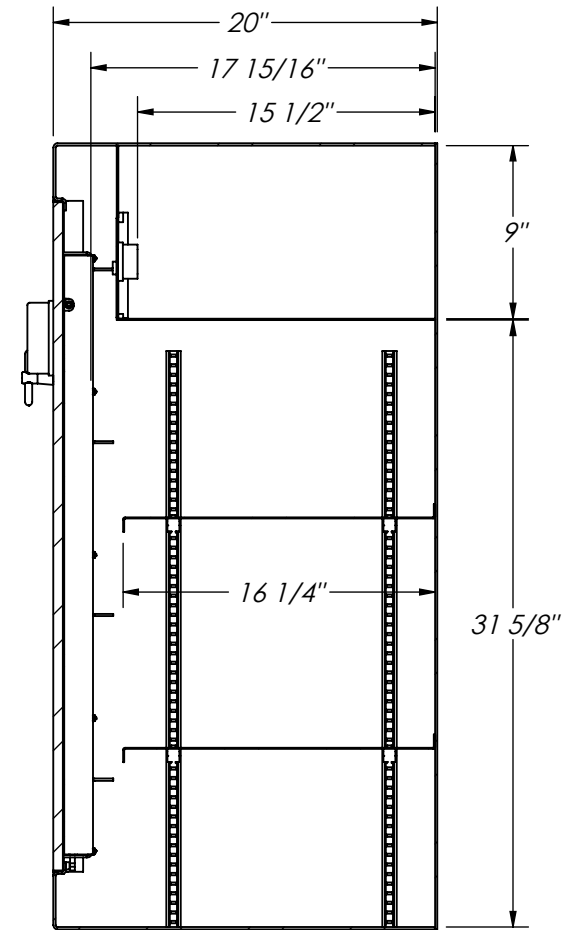
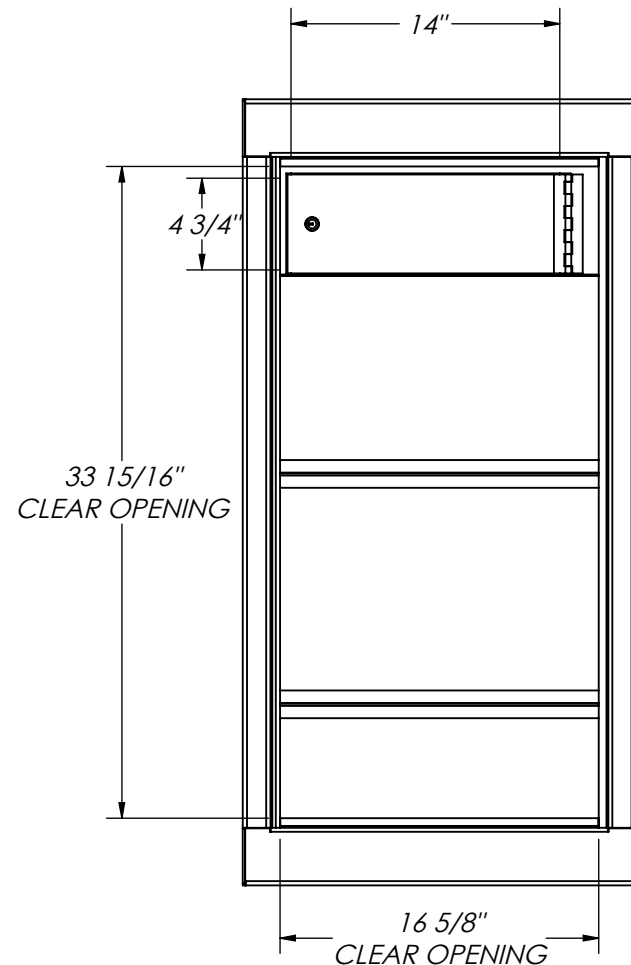
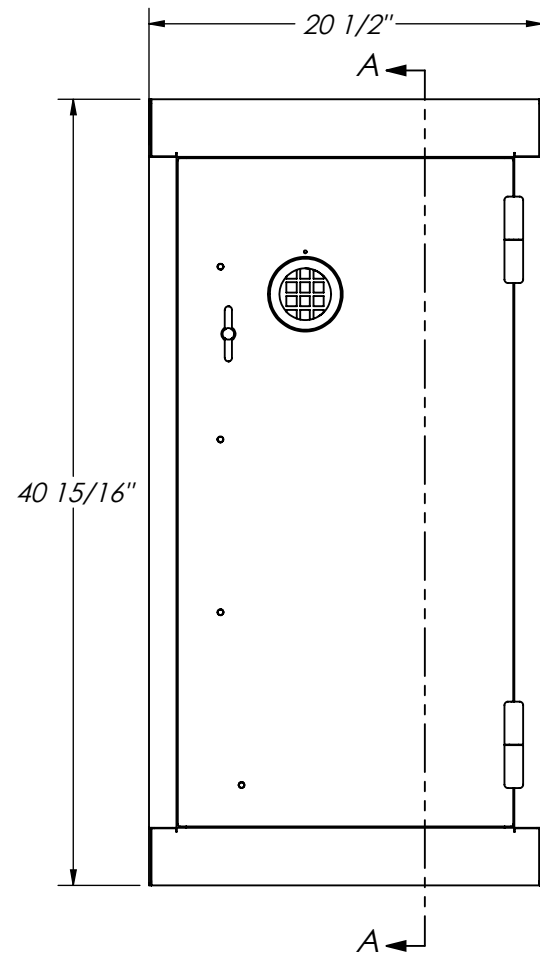


CUSTOMER: -

APPROVED BY:

DATE:



BOTTOM VIEW

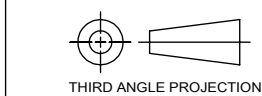
DOOR REMOVED

SECTION A-A

PRINTED 7/6/2022 - EXPIRES IN 30 DAYS

PROPRIETARY AND CONFIDENTIAL
 THE INFORMATION CONTAINED IN THIS DRAWING IS THE SOLE PROPERTY OF CENNOX SECURITY PRODUCTS. ANY REPRODUCTION IN PART OR AS A WHOLE WITHOUT THE WRITTEN PERMISSION OF CENNOX SECURITY PRODUCTS IS PROHIBITED.

UNLESS OTHERWISE SPECIFIED: DIMENSIONS ARE IN INCHES TOLERANCES: FRACTIONAL ±1/16 ANGULAR: MACH±.5° BEND ±1° TWO PLACE DECIMAL ±.010 THREE PLACE DECIMAL ±.002 FOUR PLACE DECIMAL ±.0005	ENGINEER	D. Jones	CENNOX SECURITY PRODUCTS <i>New Albany, Indiana 47150</i>	
	DRAWING	D. Jones 04/25/19		
	 THIRD ANGLE PROJECTION		Title: SAFE ASSEMBLY	
	MATERIAL: SEE BOM FINISH: SEE NOTES DO NOT SCALE DRAWING		Model: B4020IC-CL Title: SAFE ASSEMBLY Model: B4020IC-CL SIZE: B DWG. NO.: B4020IC-CL_SPEC REV: B SCALE: 1:10 WEIGHT: 252.219 SHEET 1 OF 2	

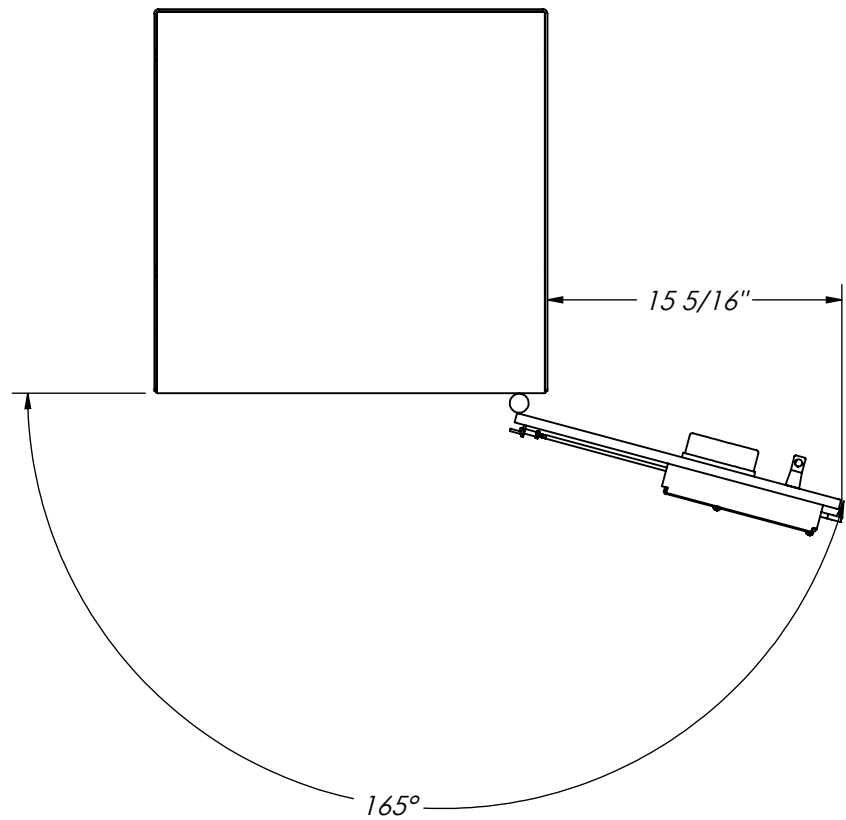


COMMENTS:
SALES CONCEPT

CUSTOMER: -

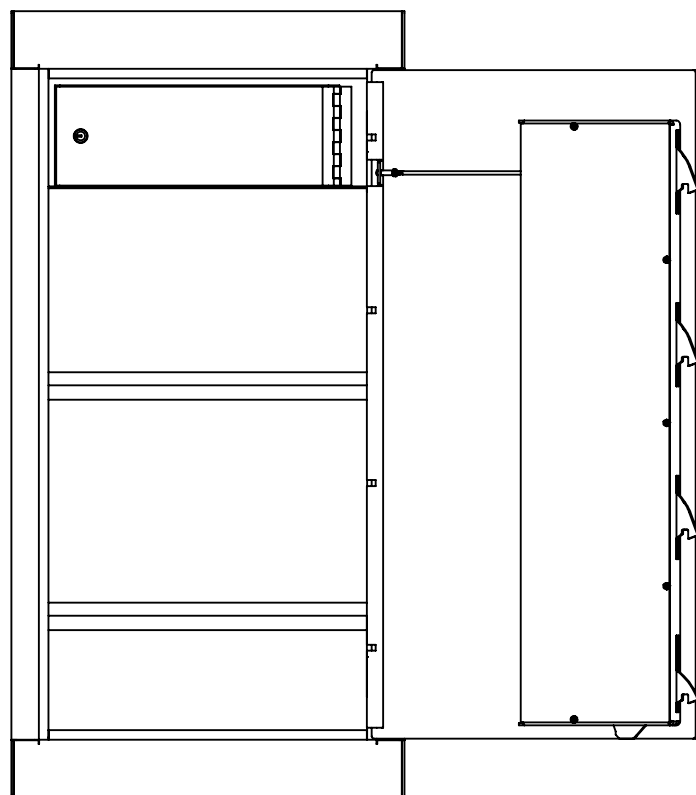
APPROVED BY:

DATE:

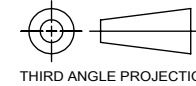


TOP VIEW

MINIMUM SIDE SPACING FOR FULL CLEAR OPENING WIDTH ACCESS



PROPRIETARY AND CONFIDENTIAL
 THE INFORMATION CONTAINED IN THIS DRAWING IS THE SOLE PROPERTY OF CENNOX SECURITY PRODUCTS. ANY REPRODUCTION IN PART OR AS A WHOLE WITHOUT THE WRITTEN PERMISSION OF CENNOX SECURITY PRODUCTS IS PROHIBITED.

UNLESS OTHERWISE SPECIFIED:			CENNOX SECURITY PRODUCTS		
DIMENSIONS ARE IN INCHES			ENGINEER	D. Jones	DATE
TOLERANCES:			DRAWING	D. Jones	04/25/19
FRACTIONAL ±1/16			 THIRD ANGLE PROJECTION		
ANGULAR: MACH ±.5° BEND ±1°					
TWO PLACE DECIMAL ±.010					
THREE PLACE DECIMAL ±.002					
FOUR PLACE DECIMAL ±.0005			Title: SAFE ASSEMBLY		
MATERIAL: SEE BOM			Model: B4020IC-CL		
FINISH: SEE NOTES			SIZE DWG. NO. REV B B4020IC-CL_SPEC B		
DO NOT SCALE DRAWING			SCALE: 1:10 WEIGHT: 252.219 SHEET 2 OF 2		

PRINTED 7/6/2022 - EXPIRES IN 30 DAYS