


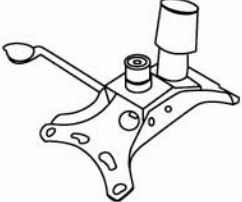
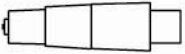





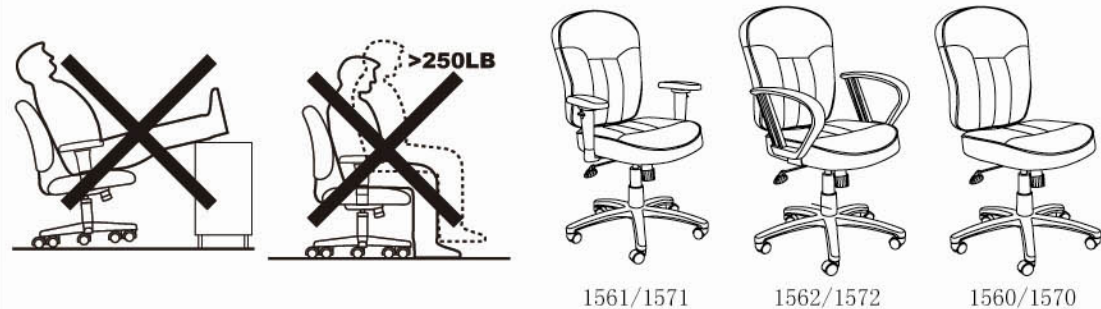
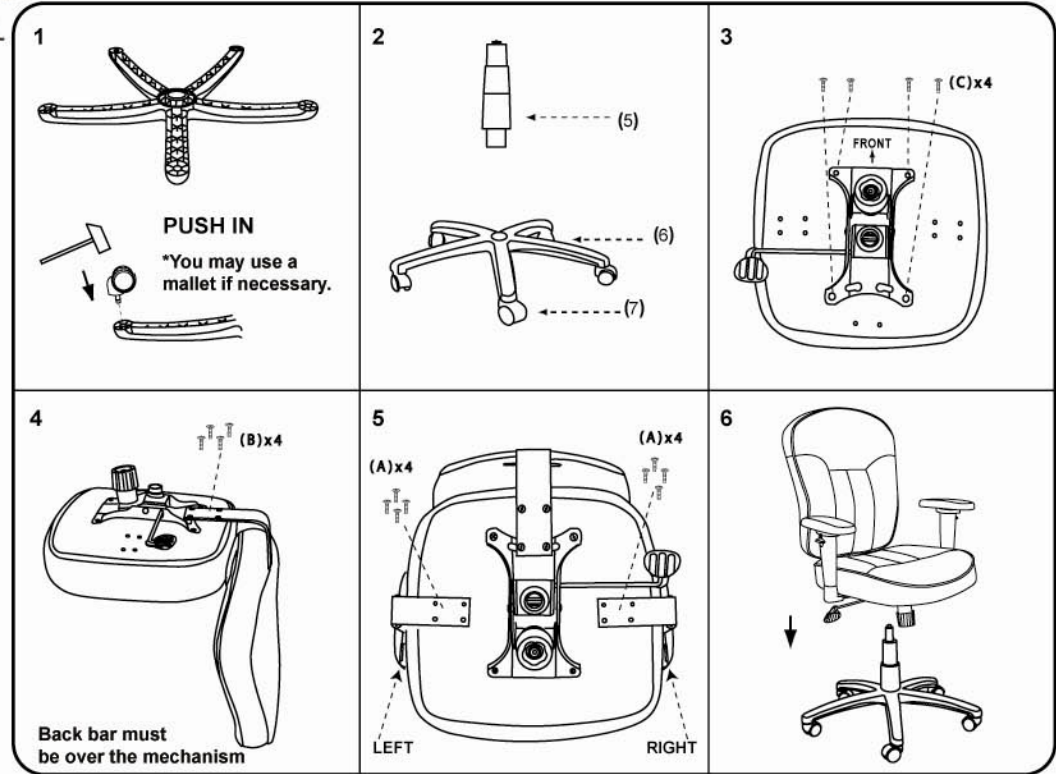


**Please unscrew all hardware from cushion before assembly.**  
**Por favor de destornillar todos los tornillos del cojín antes de ensamblar la silla.**

MODEL: 560 561 562 1560 1561 1562 1570 1571 1572

(1)x1  Back	(2)x1  Seat	(3)x1 (L)x1 (R)  1561&1562 ARM
(4)x1  Mechanism	(5)x1  Gas Lift	(6)x1  Base
(7)x5  Casters	<p>(A)x8  M6*25 ARM SCREW</p> <p>(B)x4  M8*30" L-BAR SCREW</p> <p>(C)x4  M8*22 MECHANISM SCREW</p>	



**Customer Service Hotline: 1-800-593-1888**  
**For further assembly instructions,**  
**please visit our website at [www.boschair.com](http://www.boschair.com)**

**Insert and loosely tighten all screws. When assembly is completed, fully tighten all screws before using. This chair is only intended for sitting. Any other use will void the warranty.**