

Parts List			
1	054380	FORK WELDMENT-RH	1
2	054381	FORK WELDMENT-LH	1
3	054391	ADJUSTABLE TUBE	1
4	054392	DRUM STOP	1
5	054393	GRIPPER JAW	2
6	150981	SOCKET CAP SCR (1/2-13 X 3" PLTD)	2
7	108922	GRIPPER SPRING-RH	1
8	108923	GRIPPER SPRING-LH	1
9	108177	LOCKNUT (1/2-13 PLTD)	2
10	108920	HEX HD BOLT (5/16-18 X 3" PLTD)	1
11	108924	COMPRESSION SPRING	1
12	108132	HEX LOCKNUT (5/16-18 PLTD)	1
13	108921	HEX HD BOLT (3/8-16 X 2" PLTD)	1
14	100217	LOCKWASHER (3/8 PLTD)	1
15	100642	HEX NUT (3/8-16 PLTD)	1
16	108925	LYNCH PIN	1
* 17	108863	CORRUGATED BOX	1

* NOT SHOWN

WESCO POLYJAWS

- Fork truck attachment for handling most 30/55 gallon poly drums.
- Fork truck driver does not have to leave cab to engage or disengage drum.
- Works on poly drums that have at least a 3/16" top lip (chime).
- Substantially lower priced than any other poly drum lifter on the market.
- Ships knocked down and boxed via UPS.

P/N 240148

Model: PJ
Capacity: 1,000 lbs.
Weight: 44 lbs.

THIS DRAWING IN ALL PARTICULARS IS WESCO MFG. CO. PROPERTY. ALL RIGHTS OF DESIGN, INVENTION OR USE OF ARE RESERVED.

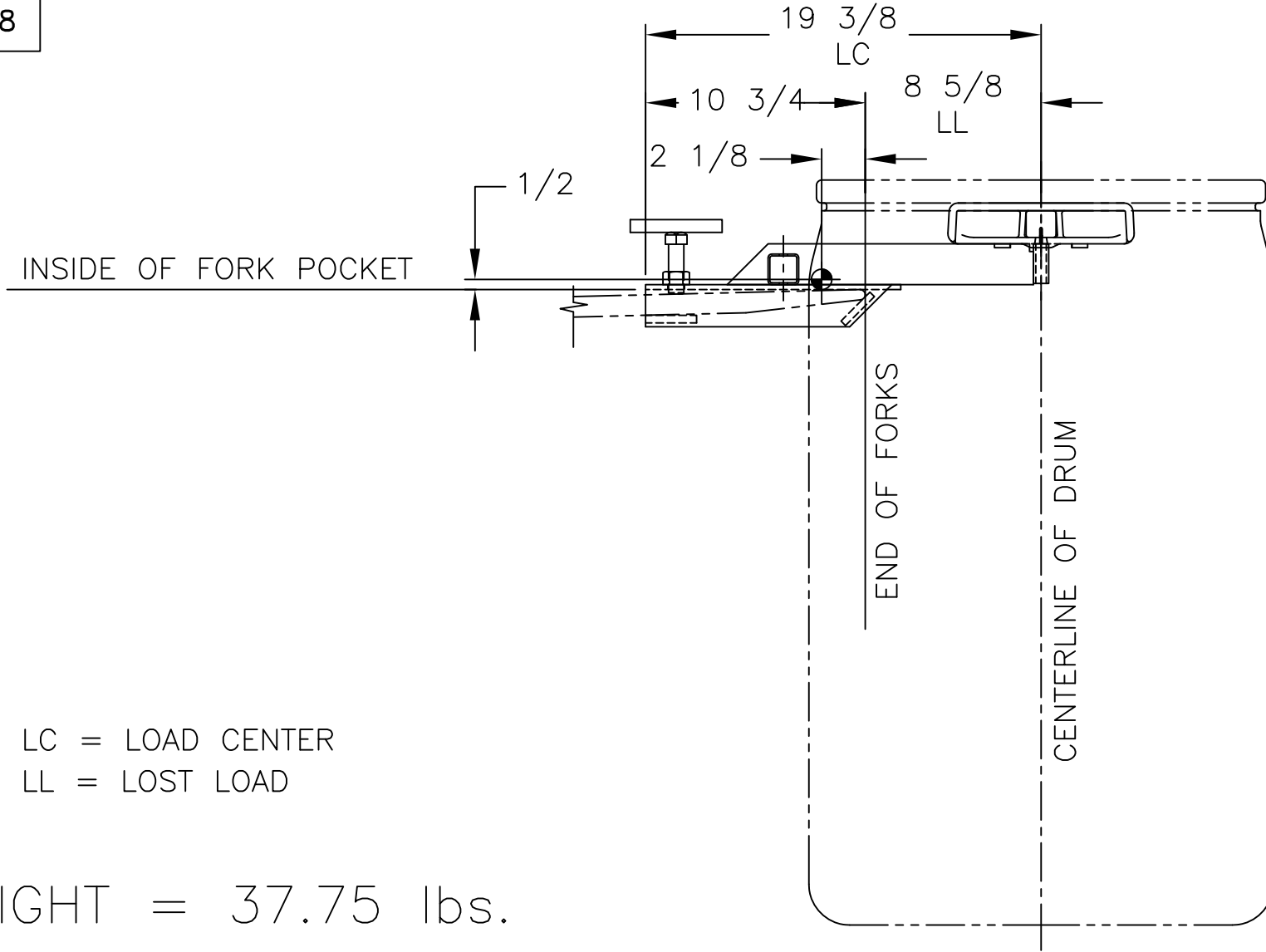
PRINT ISSUED
JUL 22, 2002
WESCO MANUFACTURING
ENGINEERING DEPARTMENT

R	W	S	AP
01-09-13	W	S	AP
C	UPDATED		

WESCO MANUFACTURING CO.	
NORTH WALES PENNA. 19454	
PART NAME	DRAWN: SKH 7-20-95
POLY JAWS DRUM GRAB	CHECKED: EGK 7-27-95
APP. ENGR.	
TOLERANCE UNLESS OTHERWISE SPECIFIED	
FRACTION	3 PLACE DECIMAL 2 PLACE DECIMAL
± 1/64	± .005 ± .01
ANGULAR ± 1-1/2°	SHEET 1 OF 1
BREAK ALL SHARP EDGES AND REMOVE ALL BURRS	
C- 240148	REV C

SCALE: 1/4" = 1"

240148



LC = LOAD CENTER
LL = LOST LOAD

WEIGHT = 37.75 lbs.

THIS DRAWING IN ALL PARTICULARS IS WESCO INDUSTRIAL PRODUCTS, LLC PROPERTY. ALL RIGHTS OF DESIGN, INVENTION OR USE OF ARE RESERVED.

PRINT ISSUED

MAY 01 2008

WESCO MANUFACTURING
ENGINEERING DEPARTMENT

P S

APP

05-01-08

RELEASED

ECN & DATE

REVISIONS

A

REV.

WESCO INDUSTRIAL PRODUCTS, LLC

NORTH WALES

PENNA. 19454

PART NAME

LOAD CENTERS
POLYJAWS PJ (240148)

DRAWN: PS 05-01-08

CHECKED:

APP. ENGR.

TOLERANCE UNLESS OTHERWISE SPECIFIED

FRACTION 3 PLACE DECIMAL 2 PLACE DECIMAL

± 1/64 ± .005 ± .01

ANGULAR ± 1-1/2° SHEET 1 OF 1

BREAK ALL SHARP EDGES AND REMOVE ALL BURRS

SCALE: 1" = 8"

A-240148

REV

A