
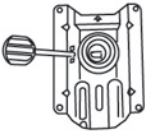

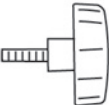





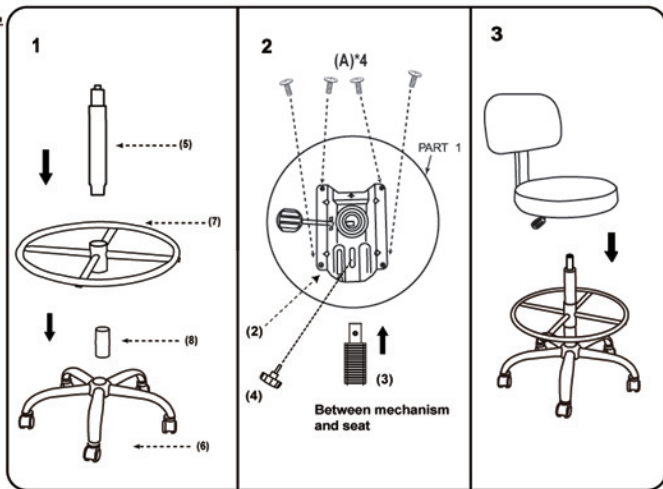


**Please unscrew all hardware from cushion before assembly.**  
**Por favor de destornillar todos los tornillos del cojín antes de ensamblar la silla.**

MODEL: 16245

|  |   |   |
|--|---|---|
| (1)x1  | (2)x1   | (3)x1   |
|  |  |  |
| Seat Cushion   | TU001-305/Mechanism   | Back Cushion W/ Back Support & Bellow   |
| (4)x1  | (5)x1   | (6)x1   |
|  |  |  |
| TU305-Knob/Knob  | TU026-240/5 / Gas Lift  | Base with Casters   |
| (7)x1  | (8)x1   |   |
|  |  |   |
| TU009  | TU009-EXT   |   |
| (A)x4  |  | M8X22 MECHANISM SCREW   |



**Insert and loosely tighten all screws. When assembly is completed, fully tighten all screws before using. This chair is only intended for sitting. Any other use will void the warranty.**

