



## FEATURES

- **PNEUMATIC SEAT HEIGHT ADJUSTMENT**

To raise seat remove pressure from seat and lift lever (1) up. To lower seat height sit on chair and lift lever (1) up.

**NOTE:** It is normal for chair to slightly lower under body weight.

- **FOOTRING HEIGHT ADJUSTMENT**

To adjust footring height, loosen knobs (2 & 3), adjust footring to desired height and tighten knobs (2 & 3) completely to secure footring into position.

## WARNING

1. Use this product only one person at a time.
2. Do not use this chair unless all bolts screws and knobs are securely tightened.
3. Check that all bolts screws and knobs are tight every three months or as needed.
4. Do not overturn back tilt knob when decreasing tension.
5. Dispose of packing material properly. Do not use plastic cover as head covering. It may cause suffocation.
6. Do not use chair as a stepladder.
7. Use this chair for its intended purpose only.
8. Use mild detergent only for cleaning.

## LIMITED WARRANTY

SPACE<sup>®</sup> chairs are warranted\* from the date of purchase against failure due to material and workmanship as follows:

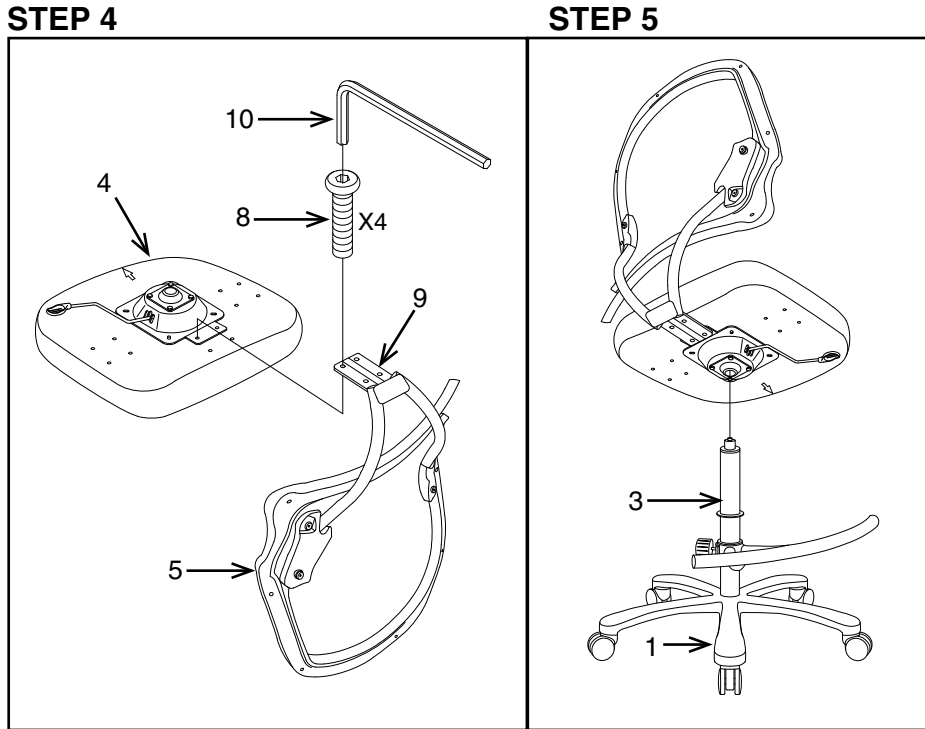
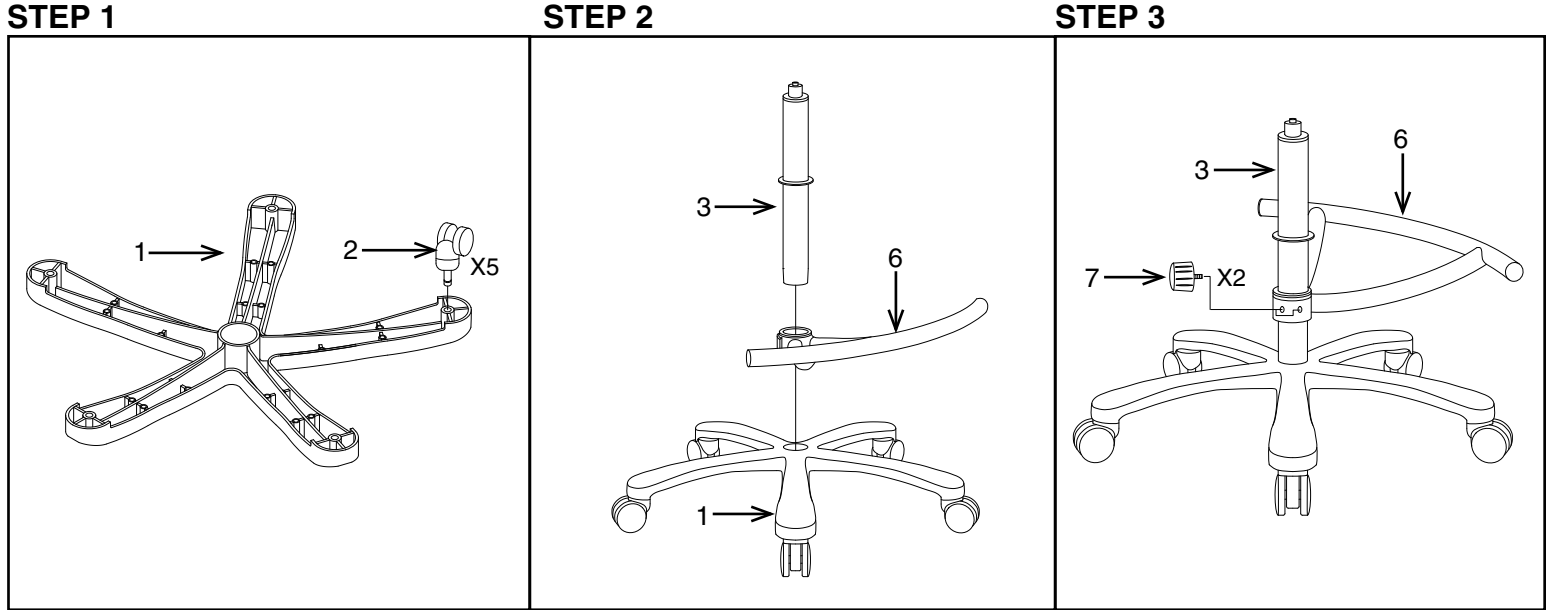
- Lifetime on component parts including pneumatic cylinder, control mechanism, base and casters.
- 3 Years on upholstery fabric and foam against wear and deterioration.

*\*All warranties are limited to the original purchaser for normal commercial usage defined as a standard forty hour work week by persons weighing 300 lbs. or less. This warranty will not cover labor, freight or damage from misuse, abuse, negligence, alteration, accident, vandalism, rusting, acts of nature or any other event beyond the control of Office Star Products. The warranty does not cover cosmetic damage that may result from normal use. Liability for incidental or consequential damages is excluded. The user assumes all risk of injury resulting from use of this product. When usage is more than 40 hours per week, a five year warranty on all parts applies. Fabric is warranted for one year. This warranty gives you specific legal rights, and you may also have other rights which vary from state to state.*

To make a warranty claim, contact Parts Department via e-mail [parts@officestar.net](mailto:parts@officestar.net), by Fax 1-909-930-5629, or toll free parts number 1-800-950-7262, Monday through Friday 8:00 a.m. - 5:00 p.m. Pacific Time. Provide model number and description of the problem and obtain confirmation number. At it's option Office Star Products will:

- (a) Supply compatible components of current manufacture.
- (b) Repair the customer's component.

It is the customer's responsibility to prepay freight on any components returned to the factory. Return freight on components covered by warranty will be paid by Office Star Products.



PART	QTY
1. Base	1
2. Casters	5
3. Pneumatic Cylinder	1
4. Seat Cushion w/ Seat Plate	1
5. Back Assembly	1
6. Footring	1
7. Knobs	2
8. Screws	4
9. Back Support (Pre-Installed)	1
10. Allen Wrench	1

Remove all parts from carton, separate by part numbers indicated on parts list, and verify part quantities.

**STEP 1** Insert five Casters (2) into Base (1), push hard until you feel or hear the Caster (2) snap into place.

**STEP 2** Slide Pneumatic Cylinder (3) through Footring (6) and into Base (1).

**STEP 3** Secure Footring (6) to Pneumatic Cylinder (3) using two Knobs (7). **FULLY TIGHTEN KNOBS (7).**

**STEP 4** Attach Back Support (9) to rear of Seat Cushion w/ Seat Plate (4) using four Screws (8),

**FULLY TIGHTEN ALL SCREWS (8) USING ALLEN WRENCH (10).**

**STEP 5** Place the assembled seat on top of Pneumatic Cylinder (3) and apply downward pressure.

**ATTENTION: MAKE SURE ALL SCREWS ARE FULLY TIGHTENED BEFORE USING CHAIR.**