

RNR MACHINERY MOVERS

Features:

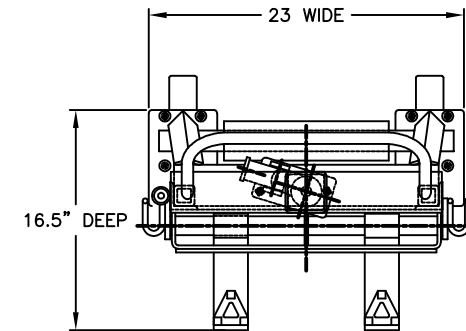
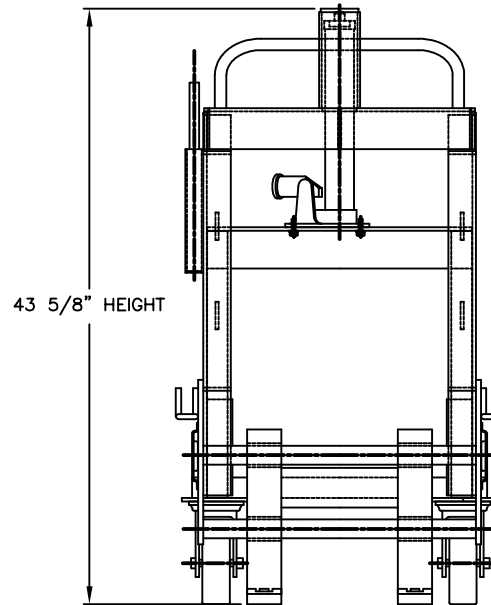
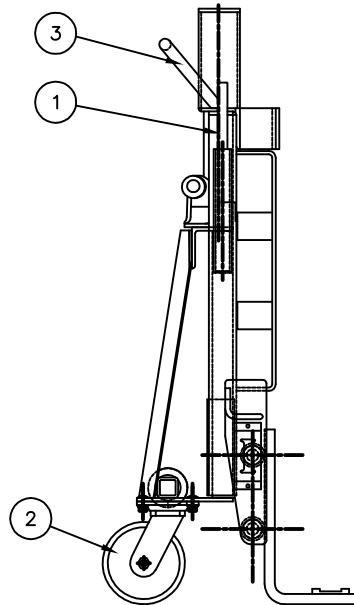
- Heavy duty capacities up to 5 tons – the most economical way to lift and move large bulky loads.
- Swivel casters allow movement in any direction.
- Hand operated hydraulic jack for easy lifting and controlled lowering of loads.
- All models supplied with hooks for recommended optional LB-1 or LB-2 load binders.

REPLACEMENT PARTS LIST

1	151116	JACK: 1 1/2 TON, 12" LIFT	2
2	108842	CASTER, 6" x 2" Urethane	4
3	051716	HANDLE: JACK (R-N-R)	2

Model: **RNR-4P**
 Lift: 12"
 Casters: 6" X 2"
 Urethane
 Weight: 313 lbs/PR
 Capacity: 4,000 lb per pair

OD fork span range: 5" to 19.5"



THIS DRAWING IN ALL PARTICULARS IS WESCO INDUSTRIAL PRODUCTS INC. PROPERTY. ALL RIGHTS OF DESIGN, INVENTION OR USE OF ARE RESERVED.

PRINT ISSUED

DEC 29, 2004

WESCO MANUFACTURING
ENGINEERING DEPARTMENT

REV. ECH & DATE	REVISIONS		APP.	
	WESCO INDUSTRIAL PRODUCTS INC.			
	LANSDALE		PENNA. 19446	
	PART NAME		DRAWN: PS 7-25-00	
RNR-4P		CHECKED:		
TOLERANCE UNLESS OTHERWISE SPECIFIED		APP. ENGR.		
FRACTION 3 PLACE DECIMAL 2 PLACE DECIMAL		SCALE: 1" = 7"		
± 1/64 ± .005 ± .01		C-260092		
ANGULAR ± 1-1/2° SHEET 1 OF 1		REV		
BREAK ALL SHARP EDGES AND REMOVE ALL BURRS				