

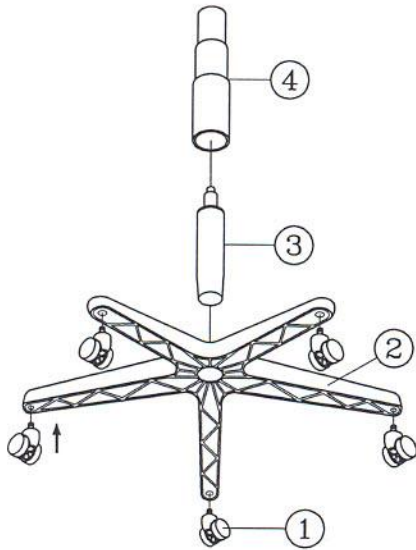
# ASSEMBLY INSTRUCTION

Remove all items from the carton . Verify all pieces before assembly.

## PART LIST

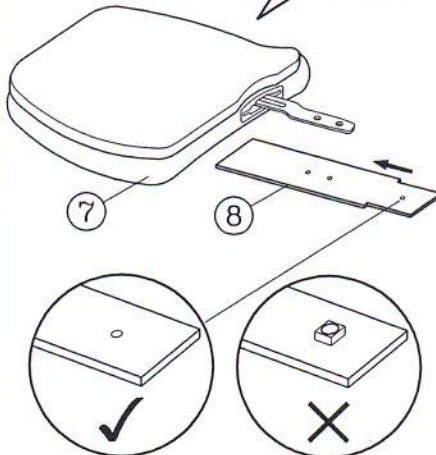
KEY	QTY	DESCRIPTION	KEY	QTY	DESCRIPTION	KEY	QTY	DESCRIPTION
1	5	Caster	6	1	Seat	11	1	Backrest Bolt + Washers
2	1	Base	7	1	Backrest	12	1	M6 Size Allen Wrench
3	1	Seat Post	8	1	Backrest Post	13	2	Armrest
4	1	Seat Post Cover	9	2	Backrest Screw	14	2	Arm Width Adjustment Knob + Washers
5	1	Mechanism	10	1	M5 Size Allen Wrench			

### STEP 1.

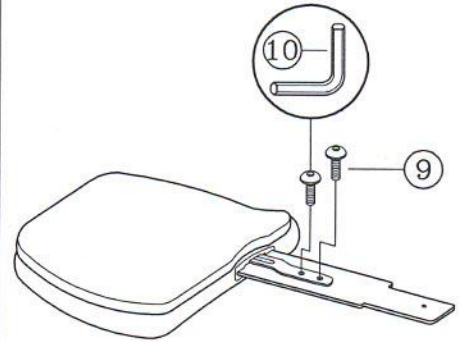


### STEP 2.

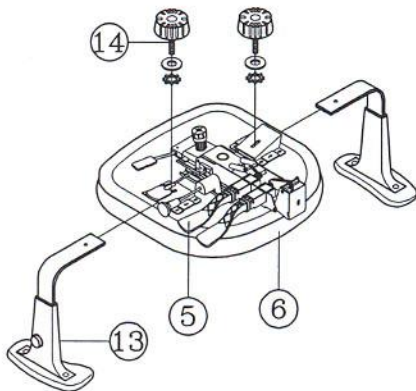
**ATTENTION !!**  
Place backrest face down to attach backrest post.



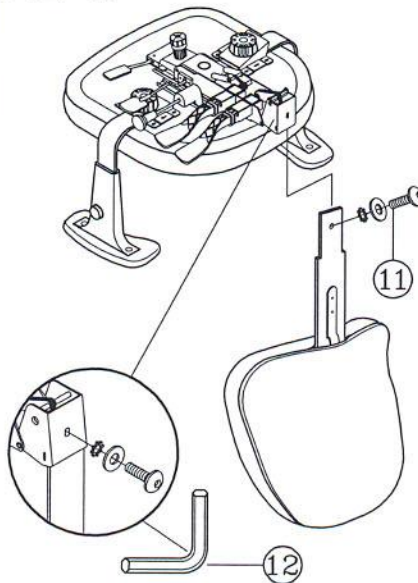
### STEP 3.



### STEP 4.



### STEP 5.



### PREVENTIVE MAINTENANCE AND WARNING!

- USE THIS PRODUCT ONLY FOR SEATING ONE PERSON AT A TIME.
- DO NOT USE THIS CHAIR AS A STEP STOOL / LADDER.
- DO NOT SIT ON ANY PART OF THE CHAIR EXCEPT THE SEAT.
- DO NOT USE CHAIR ON UNEVEN FLOOR SURFACES.
- DO NOT USE CHAIR UNLESS ALL BOLTS , SCREWS AND KNOBS ARE TIGHT . AT LEAST EVERY SIX MONTHS , CHECK ALL BOLTS , SCREWS AND KNOBS TO BE SURE THEY ARE TIGHT.
- IF ANY PARTS ARE MISSING , BROKEN , DAMAGED OR WORN , STOP USE OF THE PRODUCT UNTIL REPAIRS ARE MADE USING FACTORY AUTHORIZED PARTS.
- DISPOSE OF PACKAGING PROPERLY . PLASTIC BAG IS NOT A TOY . DO NOT USE PLASTIC BAG AS HEAD COVERING - IT MAY CAUSE SUFFOCATION.
- FAILURE TO FOLLOW THESE WARNINGS COULD RESULT IN SERIOUS INJURY.

498SL